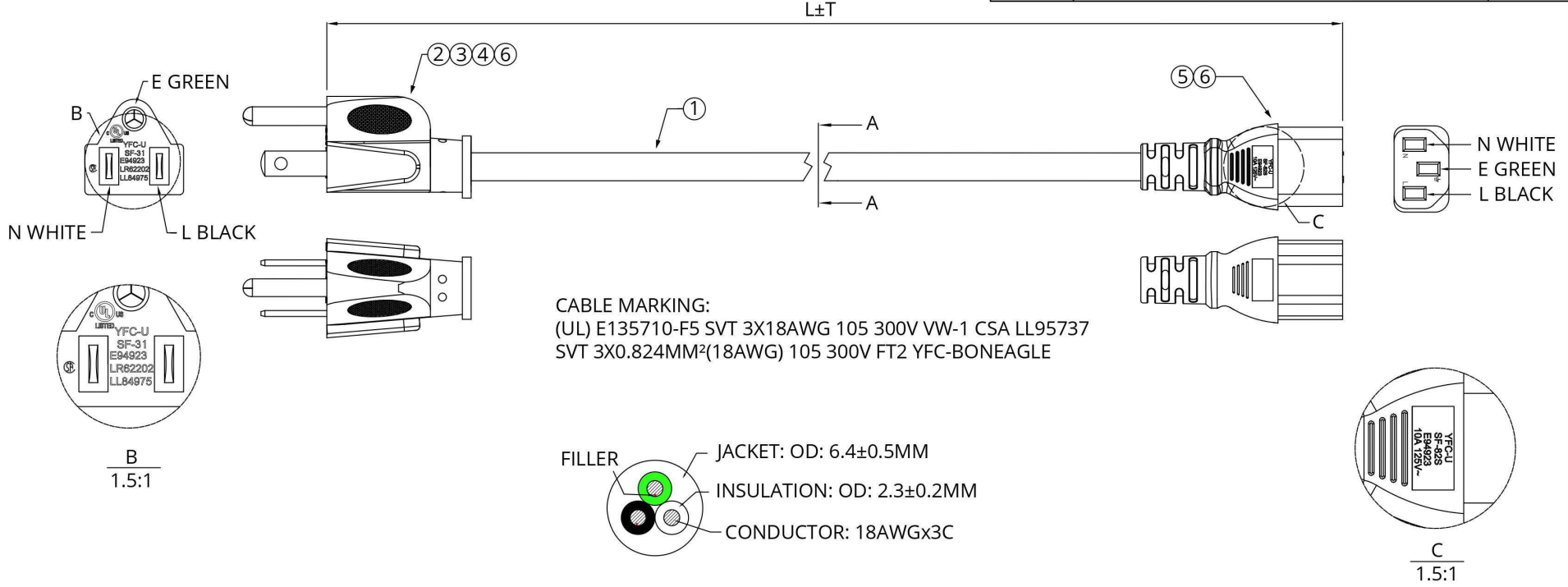


NO.	REVISION RECORD	REV.
1	FIRST ISSUE	A



CABLE MARKING:
 (UL) E135710-F5 SVT 3X18AWG 105 300V VW-1 CSA LL95737
 SVT 3X0.824MM²(18AWG) 105 300V FT2 YFC-BONEAGLE

PINOUT			
USA		C13	WIRE
E		E	GREEN
L		L	BLACK
N		N	WHITE

NOTES:
 DIELECTRIC VOLTAGE WITHSTAND TEST: 1500V/1SEC
 ELECTRICAL PERFORMANCE (20°C)
 CONDUCTOR RESISTANCE: ≤ 22.4Ω/1000M
 VOLTAGE RATING: AC 300V

Part-no:
830101 US Power cable - 1,8m
830104 US Power cable - 2,5m
830102 US Power cable - 3,0m
830103 US Power cable - 5,0m

NO.	DESCRIPTION	Q'TY	UNIT	PART NO.
6	MOLDING 40P PVC BLACK	40	G	
5	C13 PLUG BLACK	1	PC	
4	USA PLUG HOUSING 5-15P, THREE PLUG, BLACK ABS			
3	5-15P 3 PLUG MALE GROUNDING NI 18AWG	1	PC	
2	5-15P 3 PLUG MALE CURRENT-CARRYING NI 18AWG	2	PCS	
1	CABLE SVT 18AWGX3C 105°C BLACK PVC	L	MM	

CUSTOMER:	
PART NO.: SEE P/N CHART	
CUSTOMER SIGNED:	
TOLERANCE:	APPROVED:
.X± 0.20	CONFIRMED:
.XX± 0.10	CHECKED: EUGEN
.XXX± 0.05	DRAWN: EUGEN
UNIT: MM	DATE: 2021-09-13



ITEM:
 USA to C13 SVT 18AWGX3C 105°C BLACK

DRAWING NO.:	REV.	SHEET:
	A	1/1