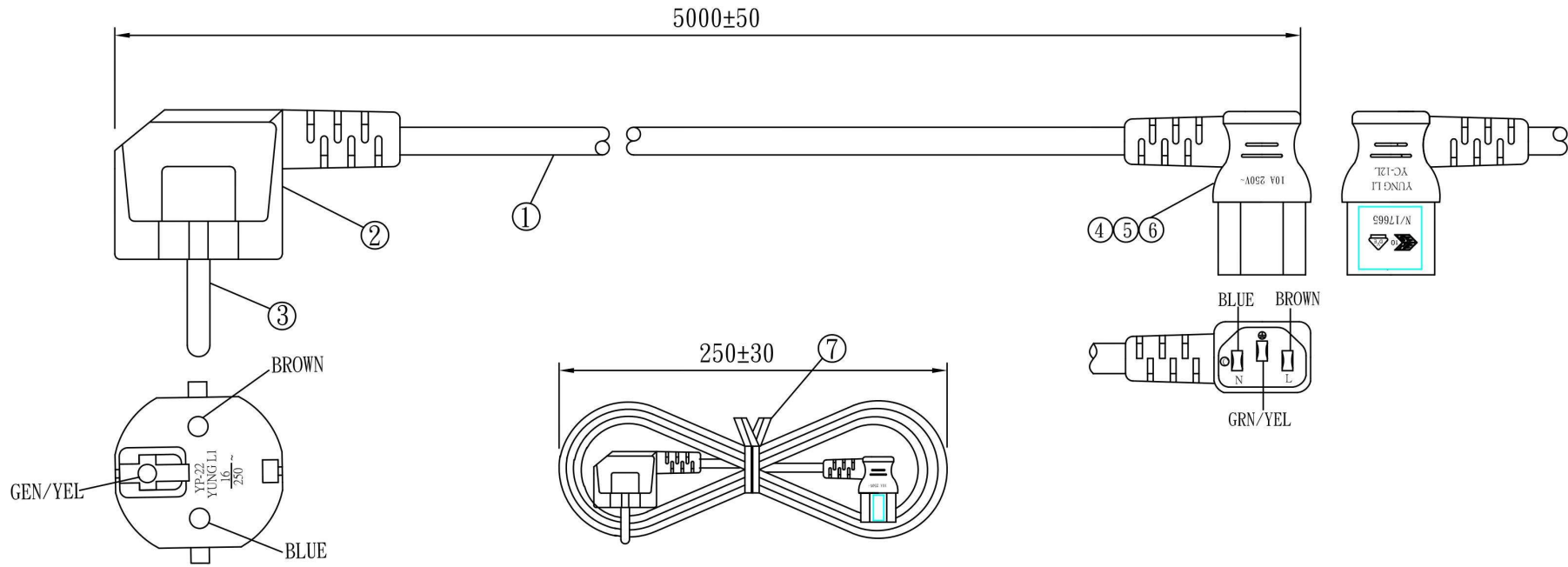




10 DE N/17665



NO.	SPECIFICATION	Q' TY	REMARK
1	H05VV-F 1.0/3G BLACK	1PC	
2	YP-22 PVC PLASTIC:50P BLACK	34g/PC	
3	3Pin Euro plug inner model:98651 Black	1PC	
4	TER:97740	3PCS	
5	YC-12L INNER BODY	1PC	
6	YC-12L PVC PLASTIC:50P BLACK	18g/PC	
7	MINI TIE:L=180mm BLACK	1PC	

Tolerance >0±0.30 >1.0±0.50 >10.0±1.0 >20.0±2.0 Angle: ±1°	Approved		Date		YUNG LI CO., LTD.			
	Checked		Date					
	Drawn	SUKI	Date	13.12.03	Customer			
	Cat. No.				P/N.	170732		
	Drawing No.			Rev.	B	Material	P. V. C	Unit
					Scale			